

# MAXEON 3 SOLAR PANEL

415–430 W | Up to 22.7% Efficient



Ideal for residential applications



White backsheet, black frame

## More Lifetime Energy

Designed to maximise energy generation through leading efficiency, enhanced performance in high temperatures, and higher energy conversion in low-light conditions like mornings, evenings and cloudy days.

## Uncompromising Durability

Engineered to power through all types of weather conditions with crack-resistant cells and reinforced connections that protect against fatigue and corrosion, to an electrical architecture that mitigates the impact of shade and prevents hot-spot formation.



## Superior Sustainability

Clean ingredients, responsible manufacturing, and lasting energy production for 40 years make SunPower Maxeon panels the most sustainable choice in solar.

SUNPOWER



## The Industry's Longest Warranty

SunPower Maxeon panels are covered by a 40-year warranty<sup>1</sup> backed by extensive third-party testing and field data from more than 33 million panels deployed worldwide.

Product and power coverage	40 Years
Year 1 minimum warranted output	98.0%
Maximum annual degradation	0.25%



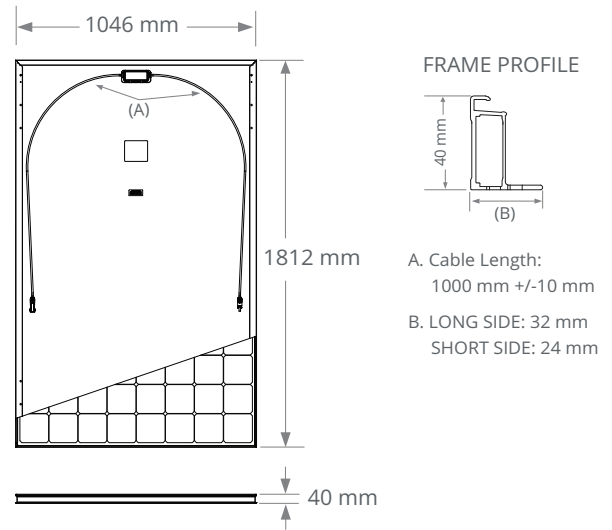
Learn more about the SPR-MAX3-XXX  
[sunpower.maxeon.com](https://sunpower.maxeon.com)

**MAXEON 3 POWER: 415–430 W | EFFICIENCY: Up to 22.7%**

Electrical Data			
	SPR-MAX3-430	SPR-MAX3-425	SPR-MAX3-415
Nominal Power (P <sub>nom</sub> ) <sup>2</sup>	430 W	425 W	415 W
Power Tolerance	+5/0%	+5/0%	+5/0%
Panel Efficiency	22.7%	22.4%	21.9%
Rated Voltage (V <sub>mpp</sub> )	70.4 V	70.0 V	69.2 V
Rated Current (I <sub>mpp</sub> )	6.11 A	6.07 A	6.00 A
Open-Circuit Voltage (V <sub>oc</sub> )	81.4 V	81.3 V	81.2 V
Short-Circuit Current (I <sub>sc</sub> )	6.57 A	6.57 A	6.55 A
Max. System Voltage	1000 V IEC		
Maximum Series Fuse	20 A		
Power Temp Coef.	-0.27% / °C		
Voltage Temp Coef.	-0.236% / °C		
Current Temp Coef.	0.058% / °C		

Operating Condition And Mechanical Data	
Temperature	-40°C to +85°C
Impact Resistance	25 mm diameter hail at 23 m/s
Solar Cells	112 Monocrystalline Maxeon Gen 3
Tempered Glass	High-transmission tempered anti-reflective
Junction Box	IP-68, Stäubli (MC4), 3 bypass diodes
Weight	21.2 kg
Max. Load <sup>6</sup>	Wind: 2400 Pa, 244 kg/m <sup>2</sup> front & back Snow: 5400 Pa, 550 kg/m <sup>2</sup> front
Frame	Class 1 black anodized (highest AAMA rating)

Warranties, Certifications and Compliance	
Standard Tests <sup>3</sup>	IEC 61215, IEC 61730
Quality Management Certs	ISO 9001:2015, ISO 14001:2015
Ammonia Test	IEC 62716
Desert Test	IEC 60068-2-68, MIL-STD-810G
Salt Spray Test	IEC 61701 (maximum severity)
PID Test	1000 V: IEC 62804
Available Listings	TUV
IFLI Declare Label	First solar panel labeled for ingredient transparency and LBC-compliance. <sup>4</sup>
Cradle to Cradle Certified™ Bronze	First solar panel line certified for material health, water stewardship, material reutilization, renewable energy & carbon management, and social fairness. <sup>5</sup>
Green Building Certification Contribution	Panels can contribute additional points toward LEED and BREEAM certifications.
EHS Compliance	RoHS, OHSAS 18001:2007, Recycle Scheme, REACH SVHC-163



Please read the safety and installation instructions. Visit [www.sunpower.maxeon.com/int/PVInstallGuideIEC](http://www.sunpower.maxeon.com/int/PVInstallGuideIEC). Paper version can be requested through [techsupport.ROW@maxeon.com](mailto:techsupport.ROW@maxeon.com).

1 40-year warranty is not available in all countries or all installations and requires registration, otherwise our 25-year warranty applies. Service availability varies by country and installation provider.

2 Standard Test Conditions (1000 W/m<sup>2</sup> irradiance, AM 1.5, 25° C). NREL calibration Standard: SOMS current, LACCS FF and Voltage.

3 Class C fire rating per IEC 61730.

4 Maxeon DC panels first received the International Living Future Institute Declare Label in 2016.

5 Maxeon DC panels are Cradle to Cradle Certified™ Bronze Bronze - [www.c2ccertified.org/products/scorecard/e-series\\_xseries\\_solar\\_panels\\_-\\_sunpower\\_corporation](http://www.c2ccertified.org/products/scorecard/e-series_xseries_solar_panels_-_sunpower_corporation). Cradle to Cradle Certified™ is a certification mark licensed by the Cradle to Cradle Products Innovation Institute.

6 Safety factor 1.5 included.

Made in Philippines (Cells)

Assembled in Malaysia (Module)

Specifications included in this datasheet are subject to change without notice.

©2022 Maxeon Solar Technologies. All Rights Reserved.

View warranty, patent and trademark information at [maxeon.com/legal](http://maxeon.com/legal).

**SUNPOWER**

FROM MAXEON SOLAR TECHNOLOGIES

544455 REV A / A4\_EN  
Publication Date: March 2022