

MAXEON 3 SOLAR PANEL

390–400 W | Up to 22.6% Efficient



Ideal for residential applications



White backsheet, black frame

More Lifetime Energy

Designed to maximise energy generation through leading efficiency, enhanced performance in high temperatures, and higher energy conversion in low-light conditions like mornings, evenings and cloudy days.

Uncompromising Durability

Engineered to power through all types of weather conditions with crack-resistant cells and reinforced connections that protect against fatigue and corrosion, to an electrical architecture that mitigates the impact of shade and prevents hot-spot formation.



Superior Sustainability

Clean ingredients, responsible manufacturing, and lasting energy production for 40 years make SunPower Maxeon panels the most sustainable choice in solar.

SUNPOWER



The Industry's Longest Warranty

SunPower Maxeon panels are covered by a 40-year warranty¹ backed by extensive third-party testing and field data from more than 33 million panels deployed worldwide.

| | |
|---------------------------------|----------|
| Product and power coverage | 40 Years |
| Year 1 minimum warranted output | 98.0% |
| Maximum annual degradation | 0.25% |



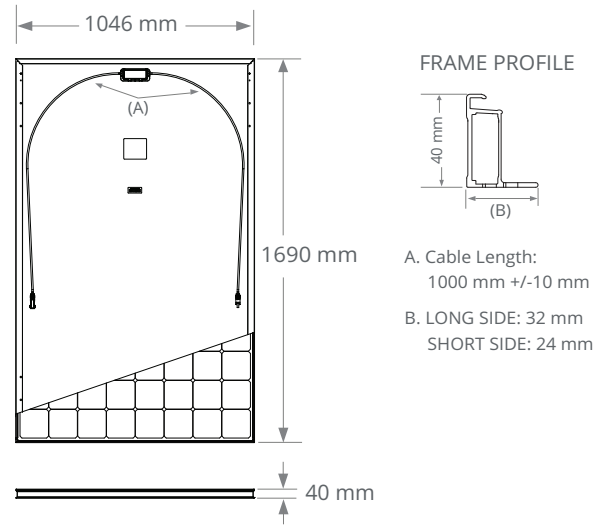
Learn more about the SPR-MAX3-XXX
sunpower.maxeon.com

MAXEON 3 POWER: 390–400 W | EFFICIENCY: Up to 22.6%

| Electrical Data | | | |
|--|--------------|--------------|--------------|
| | SPR-MAX3-400 | SPR-MAX3-395 | SPR-MAX3-390 |
| Nominal Power (P _{nom}) ² | 400 W | 395 W | 390 W |
| Power Tolerance | +5/0% | +5/0% | +5/0% |
| Panel Efficiency | 22.6% | 22.3% | 22.1% |
| Rated Voltage (V _{mpp}) | 65.8 V | 65.4 V | 65.0 V |
| Rated Current (I _{mpp}) | 6.08 A | 6.04 A | 6.00 A |
| Open-Circuit Voltage (V _{oc}) | 75.6 V | 75.6 V | 75.5 V |
| Short-Circuit Current (I _{sc}) | 6.58 A | 6.57 A | 6.56 A |
| Max. System Voltage | 1000 V IEC | | |
| Maximum Series Fuse | 20 A | | |
| Power Temp Coef. | -0.27% / °C | | |
| Voltage Temp Coef. | -0.236% / °C | | |
| Current Temp Coef. | 0.058% / °C | | |

| Operating Condition And Mechanical Data | |
|---|---|
| Temperature | -40°C to +85°C |
| Impact Resistance | 25 mm diameter hail at 23 m/s |
| Solar Cells | 104 Monocrystalline Maxeon Gen 3 |
| Tempered Glass | High-transmission tempered anti-reflective |
| Junction Box | IP-68, Stäubli (MC4), 3 bypass diodes |
| Weight | 19 kg |
| Max. Load ⁶ | Wind: 2400 Pa, 244 kg/m ² front & back Snow: 5400 Pa, 550 kg/m ² front |
| Frame | Class 1 black anodized (highest AAMA rating) |

| Warranties, Certifications and Compliance | |
|---|--|
| Standard Tests ³ | IEC 61215, IEC 61730 |
| Quality Management Certs | ISO 9001:2015, ISO 14001:2015 |
| Ammonia Test | IEC 62716 |
| Desert Test | IEC 60068-2-68, MIL-STD-810G |
| Salt Spray Test | IEC 61701 (maximum severity) |
| PID Test | 1000 V: IEC 62804 |
| Available Listings | TUV |
| IFLI Declare Label | First solar panel labeled for ingredient transparency and LBC-compliance. ⁴ |
| Cradle to Cradle Certified™ Bronze | First solar panel line certified for material health, water stewardship, material reutilization, renewable energy & carbon management, and social fairness. ⁵ |
| Green Building Certification Contribution | Panels can contribute additional points toward LEED and BREEAM certifications. |
| EHS Compliance | RoHS, OHSAS 18001:2007, Recycle Scheme, REACH SVHC-163 |



Please read the safety and installation instructions. Visit www.sunpower.maxeon.com/int/PVInstallGuideIEC. Paper version can be requested through techsupport.ROW@maxeon.com.

1 40-year warranty is not available in all countries or all installations and requires registration, otherwise our 25-year warranty applies. Service availability varies by country and installation provider.

2 Standard Test Conditions (1000 W/m² irradiance, AM 1.5, 25° C). NREL calibration Standard: SOMS current, LACCS FF and Voltage.

3 Class C fire rating per IEC 61730.

4 Maxeon DC panels first received the International Living Future Institute Declare Label in 2016.

5 Maxeon DC panels are Cradle to Cradle Certified™ Bronze Bronze - www.c2ccertified.org/products/scorecard/e-series_xseries_solar_panels_-_sunpower_corporation. Cradle to Cradle Certified™ is a certification mark licensed by the Cradle to Cradle Products Innovation Institute.

6 Safety factor 1.5 included.

Made in Philippines (Cells)

Assembled in Mexico (Module)

Specifications included in this datasheet are subject to change without notice.

©2022 Maxeon Solar Technologies. All Rights Reserved.

View warranty, patent and trademark information at maxeon.com/legal.

SUNPOWER

FROM MAXEON SOLAR TECHNOLOGIES

544451 REV A / A4_EN

Publication Date: April 2022