

REVOLUTIONISING HOT WATER

KEY BENEFITS

- ✓ Highly energy efficient
- ✓ Government incentives
- ✓ Generates hot water all year round
- ✓ Environmentally friendly
- ✓ Suitable for narrow areas
- ✓ Electronic user-friendly controller
- ✓ Further savings benefits with pre-existing solar power system



PRODUCT REVIEW
COM.AU

2021 AWARDS WINNER

SOLAR WATER HEATERS

up to
74%
energy savings
compared to
electric storage

AIR TO ENERGY

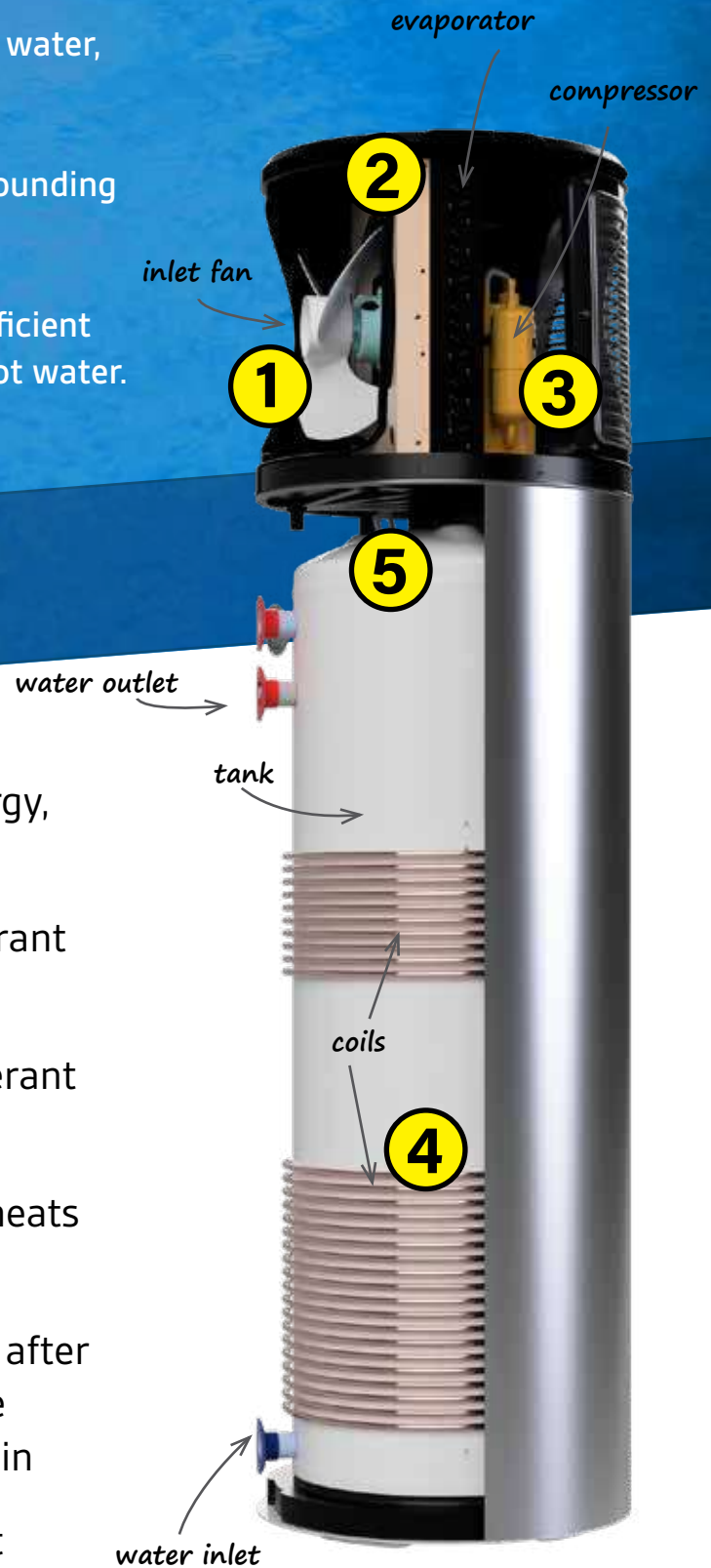
The iStore uses renewable energy to heat your water, without the need for solar panels.

It effectively absorbs the energy from the surrounding air and uses it to heat your water.

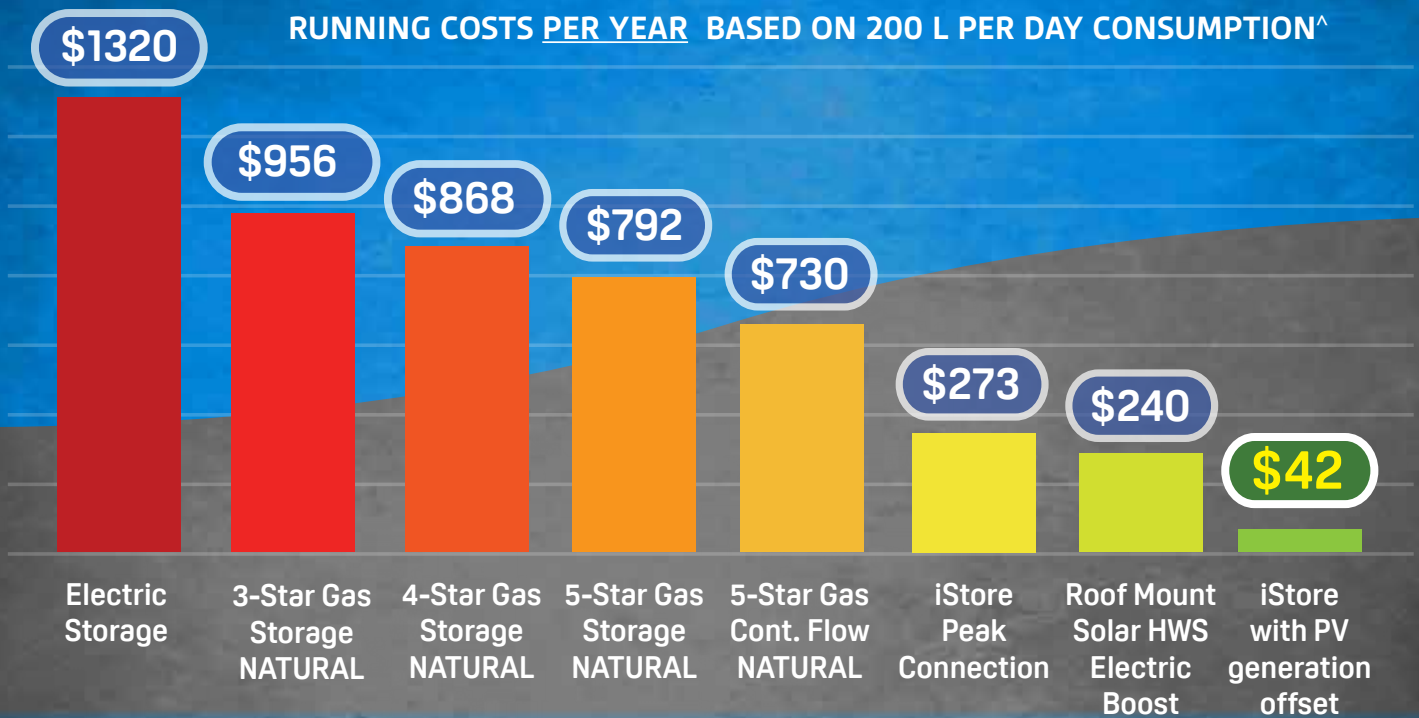
This technology makes the iStore extremely efficient and the most cost-effective way to generate hot water.

HOW IT WORKS

1. A fan draws in air containing heat energy, across the evaporator
2. The evaporator turns the liquid refrigerant into a gas
3. The compressor pressurises the refrigerant into a hot gas
4. The hot gas inside the condenser coil heats the water inside the coil-wrapped tank
5. The refrigerant reverts back to a liquid after heating the water and continues to the evaporator for the process to start again
6. The cycle continues until the set target temperature is achieved



COMPARE THE COST SAVINGS



Some very cool features



Economical - The iStore boasts 4 intelligent operating modes adapting to all situations, including a hybrid mode for when additional guests are staying in your home and a vacation mode for when you are away on holidays



Optimal design - External wrap around heating coil provides maximum thermal energy transfer



Easy to install - The iStore is easy and quick to install



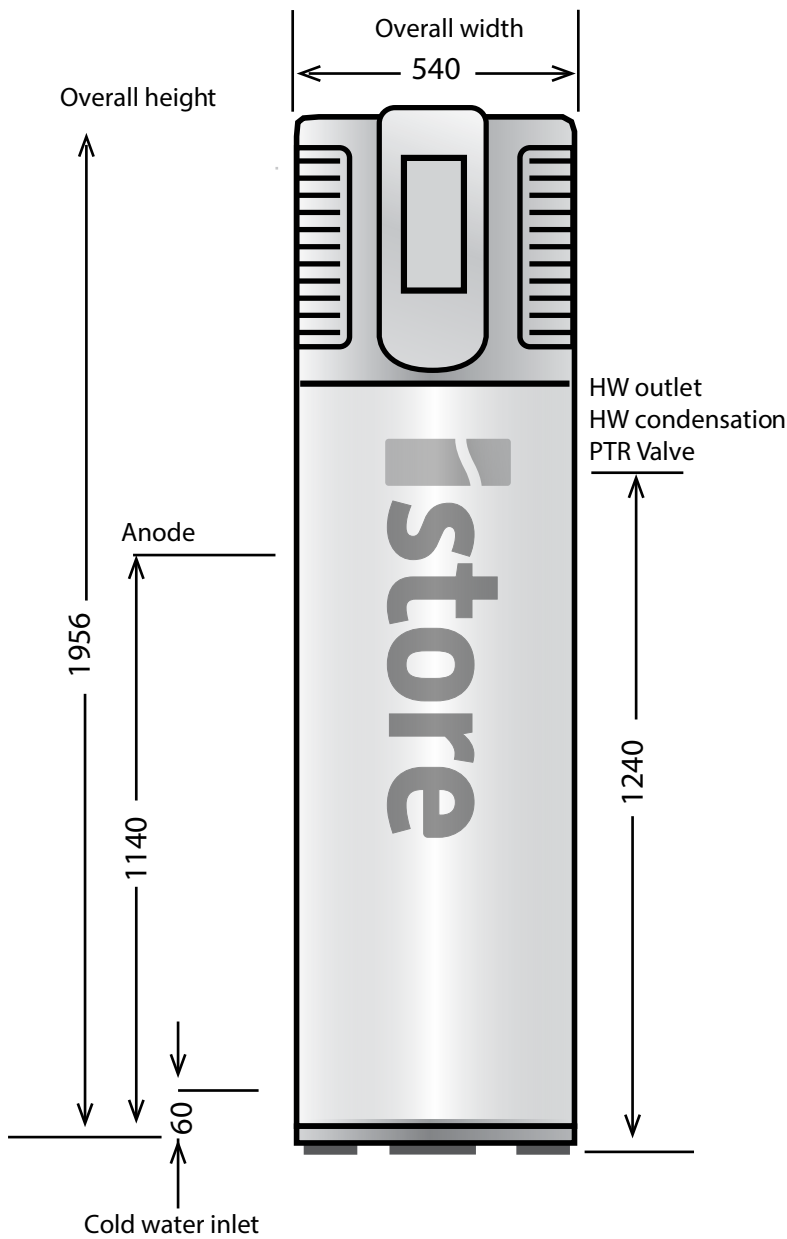
Low consumption - The iStore consumes approximately 0.5 kW of power during the air-to-energy process (average household running cycle is 3 - 4 hours = 1.5 to 2 kWh total)



Money & energy savings - For the average Australian household, heating water accounts for up to 30% of the total energy usage. The iStore saves you hundreds while saving the planet!

SPECIFICATIONS

Unit: mm



Dimensions

Height	1956 mm
Diameter	540 mm
Height to water inlet	60 mm
Height to water outlet	1240 mm
Hot water condensation	
Height to PTR valve	
Height to anode	1140 mm
Net weight (empty)	93 kg

Warranty Information

Cylinder	5 years
Refrigeration & electrical	2 years

Zone	1	2	3	4	5
STCs	25	26	30	32	31
Energy Savings (%)	73	74	72	70	73

Top View

